

Room hygro-thermostat, mechanical, one-step

The mechanical room hygro-thermostat **HYGRASREG® RHT**, a room hygrostat with (bimetal) temperature controller, is used for controlling and monitoring the relative humidity (humidifying and dehumidifying) and the temperature in office and residential rooms, baths, winter gardens, labs, computer rooms, etc. RHT is applied in dust-free, pollutant-free, non-aggressive air.

RHT



TECHNICAL DATA

HYGROSTAT

Switching capacity: (Contact load)	24...230 V AC > 24 V in dry rooms only according to VDE 0110 Dehumidifying: 5 (0.2) A, min. 100 mA Humidifying: 3 (0.2) A, min. 100 mA
Setting range:	35...100% RH
Contact:	2 changeover contact
Sensor element:	plastic fibres
Tolerance:	max. 3% RH
Operating difference:	approx. 4% RH
Housing temperature:	0...+60°C

FUNCTION	Humidifying: wire terminals 5 and 6 Dehumidifying: wire terminals 5 and 7
-----------------	--

THERMOSTAT

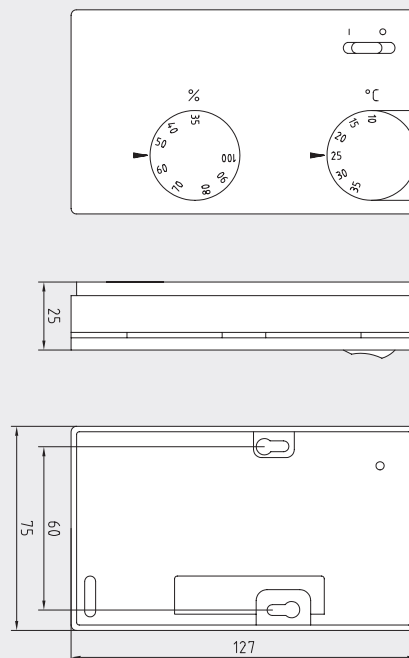
Switching capacity:	10 (4) A, 24 / 230V AC
Control range:	+10...+35°C
Contact:	1 changeover contact (potential-free)
Sensor element:	bimetal, with thermal feedback
FUNCTION	Heating: wire terminals 2 and 5 Cooling: wire terminals 3 and 5

Housing:	plastic, material ABS, colour pure white (similar to RAL 9010)
Dimensions:	127.5 x 75 x 28.6 mm
Installation:	wall mounting or on in-wall flush box, Ø 55 mm
Electrical connection:	0.14 - 2.5 mm ² , via terminal screws
Protection class:	II (according to EN 60 730)
Protection type:	IP 30 (according to EN 60 529)
Standards:	CE conformity, EMC directive 2014 / 30 / EU, low-voltage directive 2014 / 35 / EU

ACCESSORIES	When mounting indoor room enclosures on in-wall flush boxes with horizontal fixing holes, adapter frame ARA 1.7 E must be included in the order.
--------------------	---

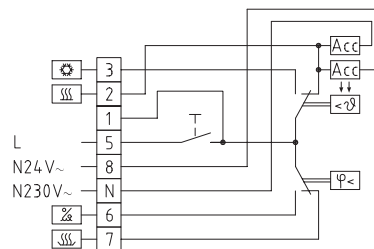
Dimensional drawing

RHT



Connecting diagram

RHT



HYGRASREG® RHT Room hygro-thermostat

Type/WG02	Setting Range	Temperature	Steps	Features	Item No.	Price
RHT	Humidity				External setting	
RHT-1	35...100% RH	+10...+35°C	one-step	main switch	1202-4010-0000-000	218,09 €
ACCESSORIES						
ARA 1,7 E	Adapter frame for in-wall flush boxes				7100-0060-4000-000	7,27 €